

swissbit[®]

Tape and Reel Specification

**Commercial / Industrial
/ Automotive
e•MMC Memory**

Swissbit e•MMC Series
BGA 153 ball

Date: January 3, 2024
Revision: 1.00

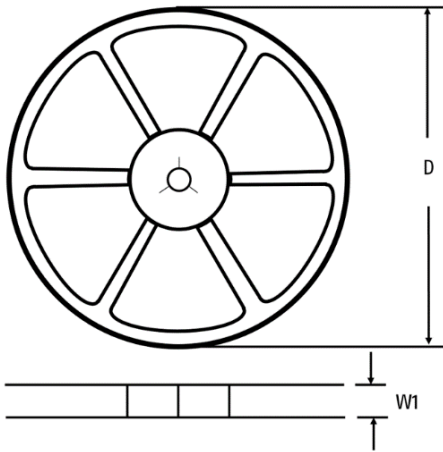
Contents

1. GENERAL.....	3
2. REEL DIMENSION	3
3. TAPE DIMENSION	3
4. PIN A1 ORIENTATION.....	4
5. REVISION HISTORY	5

1. General

This document describes the T&R packaging of the 153ball eMMC. The Tape and Reel dimension is according to EIA-481-F.

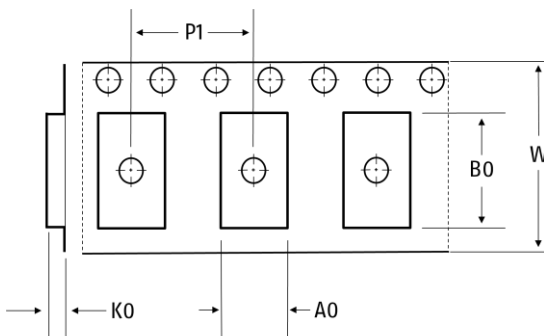
2. Reel Dimension



Dimension	Description	Value
D	Reel diameter	330 mm
W1	Reel width	24.4 mm

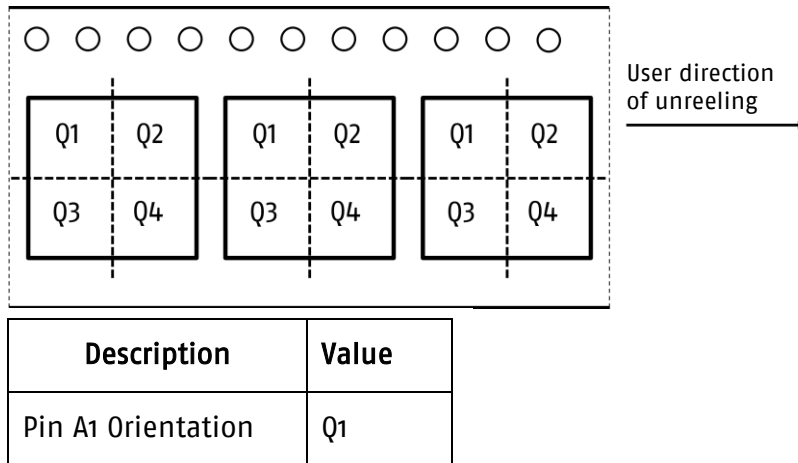
Drive: reel without drive hole with drive spokes.

3. Tape Dimension



Dimension	A0	B0	K0	W	P1
Description	Cavity length	Cavity width	Cavity depth	Carrier tape width	Pitch between successive cavity centers
Value	11.9 mm	13.4 mm	1.8 mm	24.0 mm	16.0 mm

4. Pin A1 Orientation



5. Revision History

Table 1: Document Revision History

Date	Revision	Description	Revision Details
03 January 2024	1.00	Initial release	Doc. req. no. 6800

Disclaimer:

No part of this document may be copied or reproduced in any form or by any means, or transferred to any third party, without the prior written consent of an authorized representative of Swissbit AG ("SWISSBIT"). The information in this document is subject to change without notice. SWISSBIT assumes no responsibility for any errors or omissions that may appear in this document and disclaims responsibility for any consequences resulting from the use of the information set forth herein. SWISSBIT makes no commitments to update or to keep current information contained in this document. The products listed in this document are not suitable for use in applications such as, but not limited to, aircraft control systems, aerospace equipment, submarine cables, nuclear reactor control systems and life support systems. Moreover, SWISSBIT does not recommend or approve the use of any of its products in life support devices or systems or in any application where failure could result in injury or death. If a customer wishes to use SWISSBIT products in applications not intended by SWISSBIT, said customer must contact an authorized SWISSBIT representative to determine SWISSBIT willingness to support a given application. The information set forth in this document does not convey any license under the copyrights, patent rights, trademarks or other intellectual property rights claimed and owned by SWISSBIT. The information set forth in this document is considered to be "Proprietary" and "Confidential" property owned by SWISSBIT.

ALL PRODUCTS SOLD BY SWISSBIT ARE COVERED BY THE PROVISIONS APPEARING IN SWISSBIT'S TERMS AND CONDITIONS OF SALE ONLY, INCLUDING THE LIMITATIONS OF LIABILITY, WARRANTY AND INFRINGEMENT PROVISIONS. SWISSBIT MAKES NO WARRANTIES OF ANY KIND, EXPRESS, STATUTORY, IMPLIED OR OTHERWISE, REGARDING INFORMATION SET FORTH HEREIN OR REGARDING THE FREEDOM OF THE DESCRIBED PRODUCTS FROM INTELLECTUAL PROPERTY INFRINGEMENT AND EXPRESSLY DISCLAIMS ANY SUCH WARRANTIES INCLUDING WITHOUT LIMITATION ANY EXPRESS, STATUTORY OR IMPLIED WARRANTIES OF MERCHANTABILITY OR FITNESS FOR A PARTICULAR PURPOSE.

© 2024 SWISSBIT AG All rights reserved.